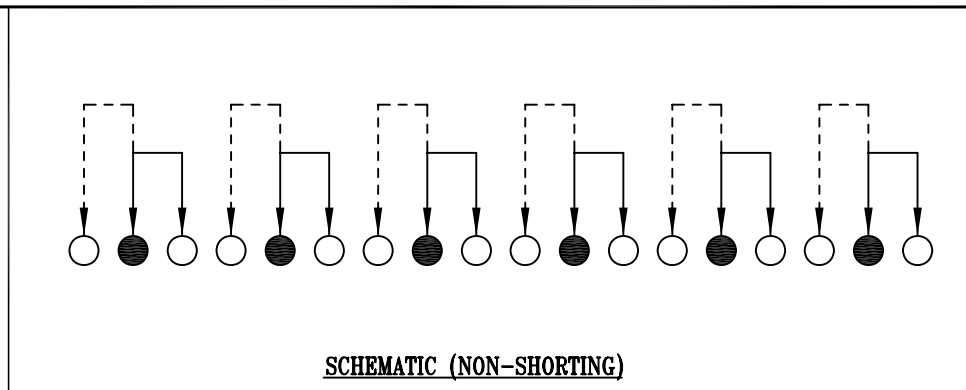
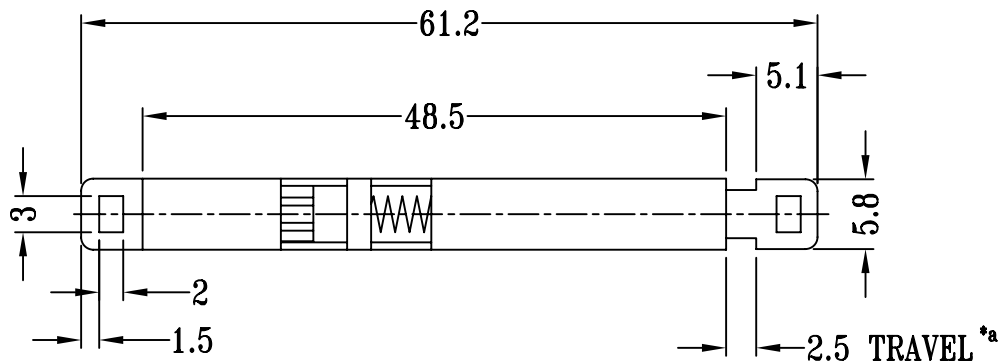
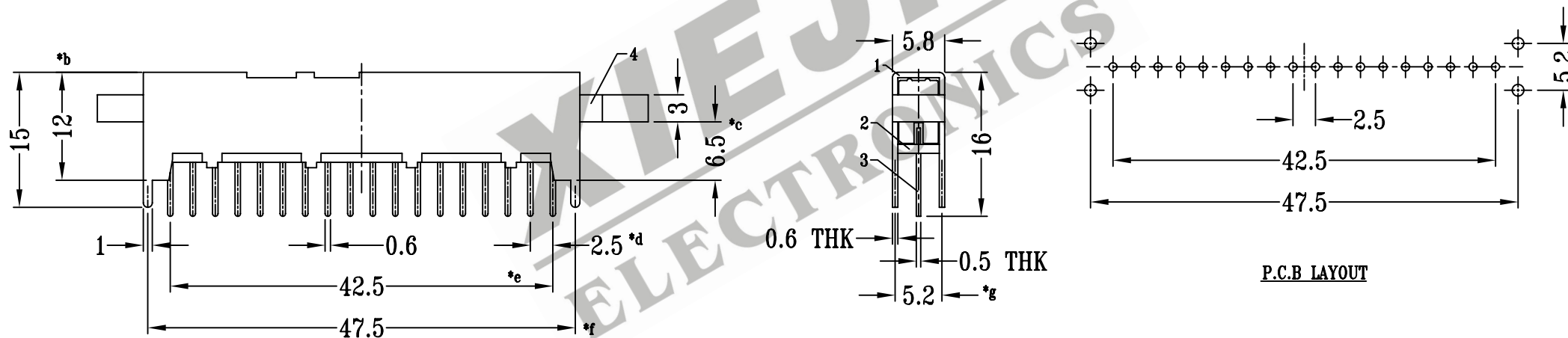


CAD FILE:



SCHEMATIC (NON-SHORTING)



P.C.B LAYOUT

注:带*表示关键尺寸(7个)

8					TOLERANCE UNLESS SPECIFIED	SHENZHEN XIEJIA ELECTRONICS CO.,LTD.				
7										
6	SPRING	STEEL WIRE	1	TEMPER	WITHIN: 1.5±0.1mm	ISSUE	DATE	DESCRIPTIONS		APPD.
5	CONTACT CLIP	PBS	6	Ag CLAD	OVER : 1.5±0.2mm					
4	KNOB	PC/ABS	1	BLACK	TITLE : PUSH SWITCH		UNIT : MM	DRWG NO.: XJ-DR-PS62E01-00		
3	TERMINAL	BRASS STRIP	18	Ag PLATED OVER Ni PLATED	MODEL: PS-62E01		SCALE: 3:2	DWN.	ZHOUYU	2004-7-12
2	BASE	PHENOLIC RESIN	1	NATURAL				CHK'D	FANGYING	2004-7-12
1	FRAME	STEEL STRIP	1	Ni PLATED	ALL MATERIALS MUST BE COMPLIANT TO ROHS		APPD.	KANGXINAN	2004-7-12	
NO.	PART NAME	MATERIAL	Q'TY	FINISHING						